

# Slimline Outdoor Heater

## Safety Instructions and Operation

Thank you for purchasing this product.  
Please carefully read this instruction manual before using and operate strictly  
accordance with the instructions.

# Safety Instructions

**Read these instructions before using this heater. Be sure to keep the manual in a safe place for future reference.**

---

## **CAUTION!**

Risk of scald injury!

When using electrical appliances, basic safety precautions should always be followed to reduce the risk of fire, electric shock, or injury to persons, including the following:

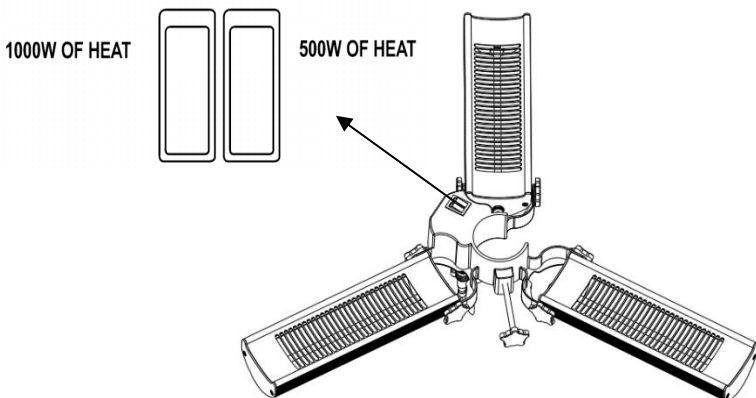
- Check if the voltage indicated on the nameplate of the appliance corresponds to the local mains voltage before you connect the appliance.
- Power supply to the appliance should correspond to the relevant regulations of the power supply companies and the regional construction regulations. Extension cords and multi-sockets may be used only if care is exercised in their use. The marked electrical rating of the extension cord or multi-socket should have adequate current carrying capacity and correspond to the relevant regulations of the power supply companies and the regional constructions regulations. Check if the voltage indicated on the appliance corresponds to the marked electrical rating of the extension cord or multi-socket before you connect the appliance.
- The appliance must only be mounted by an authorized specialist, paying attention to the relevant regulations of the power supply companies and the regional construction regulations.
- The appliance should not be located below a wall socket-outlet.
- Never install this appliance close to any combustible material, such as furniture, curtains, etc.
- In order to avoid overheating and fire hazards, do not cover or obstruct the appliance. Do not put any of the following materials on the appliance, such as clothes, blanket, pillow, paper etc.
- The casing and the front cover of the appliance become extremely hot during operation. Pay attention that no combustible material due to wind or other environmental influences covers or obstructs the appliance, such as curtains, flags, plastic foil etc. Do not touch the appliance. Caution! Risk of scald injury.
- Do not let the cord hang over the edge of tables or counters or touch hot surfaces.
- If the supply cord is damaged, it must be replaced by a qualified person in order to avoid a hazard.
- In case of improper use, there is a risk of electrical shock and/or fire hazard. Operation of the appliance must be discontinued, and the mains plug removed immediately. Do not try

to repair the appliance by your-self. Please contact a service agent or a suitably qualified electrician for maintenance.

- Remove the plug from the power outlet and wait until the appliance is sufficiently cooled before cleaning.
- Keep out of reach of children. In order to keep children from the dangers of electrical appliances, never leave them unsupervised with the appliance. Consequently, when selecting the location for your appliance, do so in such a way that children do not have access to the appliance. Children should not be allowed to play with the appliance.
- **WARNING:** This heater is not equipped with a device to control the room temperature. Do not use this heater in small rooms when they are occupied by persons not capable of leaving the room on their own, unless constant supervision is provided.

## Technical Specifications

Voltage (V)	220V–240V~
Power (W)	500W * 3
Installation	Pole / Parasol
Product Dimensions	650*650*150mm
Weight	2 .8kg



# Installation Instructions

- It is highly recommended to seek help from another person when installing this heater.
  - Remove all package material (including any anti-vibration foam surrounding the lamp)
  - Check the appliance, supply cord and the plug for signs of damage.
1. Ensure the mounting pole and all mounting parts are suitable and stable enough to provide lasting support to the heater. The mounting pole should be 30-58mm in diameter (Fig 2.)
  2. Before mounting, the minimum safe mounting distances and tilt angles shown in the figures must be strictly followed:
    - The distance between the bottom edge of the appliance and the floor must be at least 1.8m.
    - There must be a distance of at least 0.25m between the appliance and the ceilings, roofs or other covers.
    - There must be a distance of at least 0.5 M at each side between the appliance and walls, fabric or the like.
    - Ensure the parasol heater is not mounted in a position which is not susceptible excessive wind load.
  3. Ensure the two switch controls are facing downwards.
  4. Attach the heater to the pole and tighten the Locking Clamp to secure the heater.
  5. Adjust the desired angle of heaters with the Angle Adjust Clamp. Regularly check the clamps are tight. Vibration from the wind or rain can lead to loosening.
  6. Connect the mains cables and switch on. Press the two switches together for 1500W of heat. By pressing both switches downward to turn off the heater.
  7. Disconnect from the power supply when the heater is not in use.

# Product Diagrams

Fig 1.

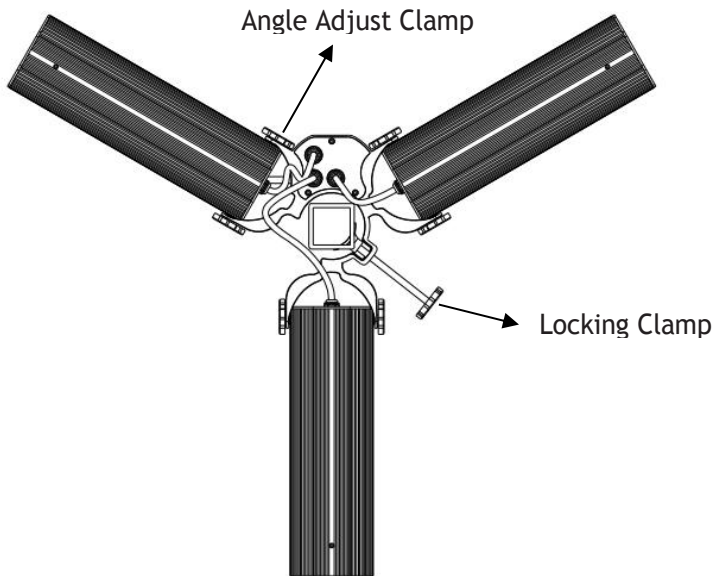
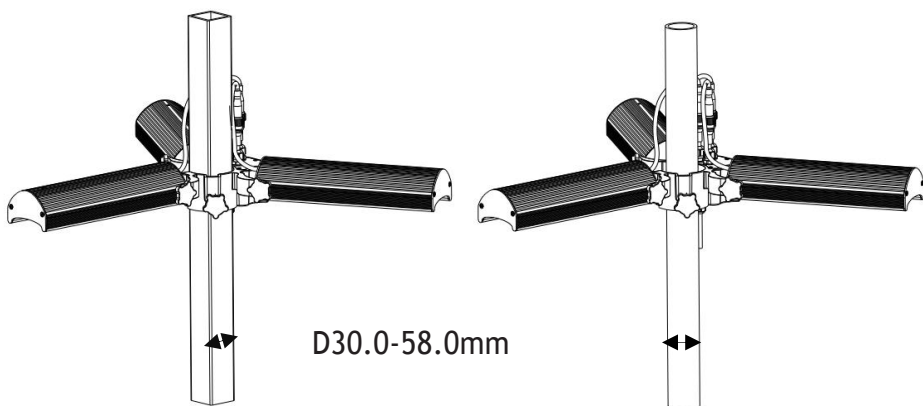


Fig 2.



# Cleaning & maintenance

## Heater housing, grills and internal reflectors

- Disconnect the appliance from the power supply.
- After the heater has cooled down, the housing can be wiped clean with a damp cloth.
- Do not touch the heat element with fingers, as small amounts of oil on the bulb can cause it to malfunction.
- Do not use any abrasive or hard cleaning products on any part of this heater.
- Do not immerse the appliance in water.
- Wait until the unit is completely dry before use.

## Cleaning of heater lamp

- Disconnect the appliance from the power supply system.
- Wipe the lamp over with a damp cloth ensure no detergents or cleaning fluids are used as they may cause damage to the lamp coating.

Any maintenance or repairs should only be carried out by a qualified electrician.

## Storage

If the heater will not be used for a long period of time, store it in a cool, dry location. To prevent dust and dirt build-up, use the original packaging to repack the heater.